

## Shoebox light 100W



LM79 LM80



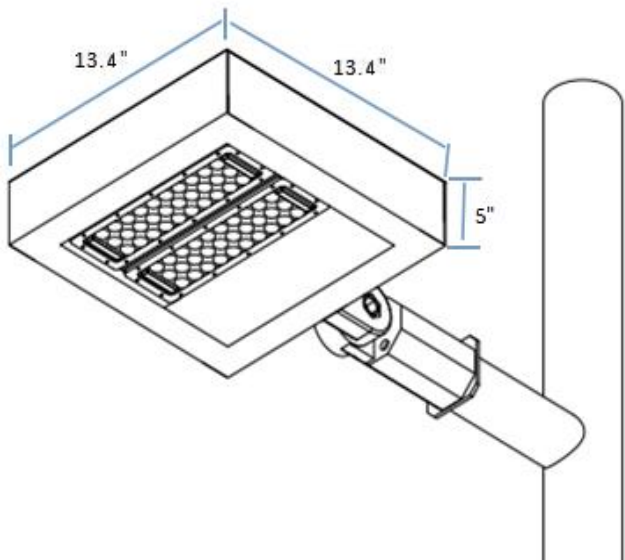
## Application:

Serve Customers Whole-heartedly

Outdoor parking, tennis court, shopping malls,  
roads lighting, etc.

## Benefits:

- \* High Quality of LED Chip Source
- \* High Quality of LED Driver- Mean Well
- \* Wide Input Voltage:- 100~277V AC, 300-480V AC
- \* Working Humidity: 20%-90%
- \* Ultra Slim Reduce Wind Resistance
- \* Long life-70000hrs
- \* Significant energy savings
- \* Simple installation/Flexible Application
- \* Good heat dissipation- Aluminum heatsink
- \* Waterproof Rating- IP65



Medol No.:	FLD-SHB-100W
LED CHIP Source	CREE
LED Driver	Mean Well
Wattage:	100W
Beam Angle:	120° /75° ×134°
UL/cUL	E472881
Color Temperature:	4000K/4500K/5000K/5700k
Voltage:	100-277Vac (347-480Vac optional)
CRI	72
Life Hours:	50000hrs
MH/HPS Equivalent:	350W
Lumens Per Watt:	110lm/w
working temperature	-40~50° C
NW/GW:	9.5KG/10KG ± 0.5KG
Size:	340mmx340mmX128mm
PF	>0.95
Warranty:	5 years

Pictures of our Lights:

