

## Shoebox light 150W



LM79 LM80



## Application:

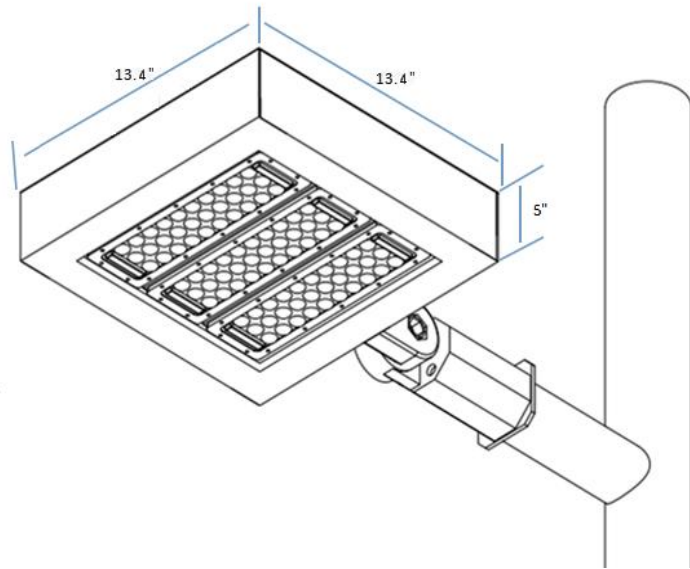
Serve Customers Whole-heartedly

Outdoor parking, tennis court, shopping malls,  
roads lighting, etc.

## Benefits:

- \*High Quality of LED Chip Source
- \*High Quality of LED Driver- Mean Well
- \*Wide Input Voltage:- 100~277V AC,300-480V AC
- \*Working Humidity: 20%-90%
- \*Ultra Slim Reduce Wind Resistance
- \*Long life-70000hrs
- \*Significant energy savings
- \*Simple installation/Flexible Application
- \*Good heat dissipation- Aluminum heatsink
- \*Waterproof Rating- IP65

# Global Light Technology



Stock Code:	FLD-SHB-150W
LED CHIP Source	CREE
LED Driver	Mean Well
Wattage:	150w
Beam Angle:	120° /75° ×134°
LM79/LM80/DLC Listed	Yes
UL/cUL:	E472881
Color Temperature:	4000K/4500K/5000K/5700K
Voltage:	100-277Vac (347-480Vac optional)
CRI	72
Life Hours:	50000hrs
Lumens (Initial):	16000
Halogen Equivalent:	500W
Lumens Per Watt:	110lm/w
working temperature	-40~50° C
PF	>0.95
Warranty:	5 years
Dimension	34mm*340mm*128mm

# Applications pictures:

